

The PT UHF RFID Reader is especially designed and optimized for parking applications. It is an all-in-one reader with an integrated antenna and a unique combination of high quality components at a competitive price, making it the most innovative reader on the market.

Parking Telecom's fully integrated solution allows for ticketless operation as well as multi-lane analysis and anti-passback functionality.

It is characterized with long read range, long product lifetime and low cost of use. Its weatherproof design, with IP66 rating, ensures that the reader is an excellent choice both for outdoor and indoor use.



Features

- Easy to use and install
- Attractive price-performance
- Robust and weatherproof design, IP66
- Read range of up to 8 m (26 ft)
- Operates with passive UHF tags and ISO cards

Options

- Universal Mounting Kit (UMK)
The UMK includes brackets for both pole and wall (flat surface) mounting of the PT UHF RFID readers. The UMK is suitable for indoor and outdoor use.
- Headlight Tags
Tag with adhesive, designed for permanent headlight mounting on cars with metalized windshield.

PARKING TELECOM UHF RFID READER

SPRCIFICATION

TECHNICAL SPECIFICATION

| | |
|---------------------------------|---|
| Read Range | Up to 8 m (26 ft) with passive UHF tags and ISO cards |
| Input | 3 isolated inputs |
| Output | 3 isolated outputs shared with Wiegand/Magstripe |
| Relay | 1 relay output, 60 VDC, 2 A |
| LED Indicator | Red-Green-Yellow |
| Operating & Storage Temperature | From -40°C to +60°C -40°F to +140°F |
| Housing | Aluminum housing UL94 certified XENOY™ cover |
| Dimensions (W x H x L) | 300 mm x 300 mm x 60 mm 11.8 in x 11.8 in x 2.4 in |
| Weight | 2.3 kg 5.1 lbs |
| Protection | Waterproof IP66 |
| Power Supply Voltage | 12–24 VDC supply |
| Power Consumption | 10 W (max 12 W) |
| Output Power | EU: 2 W (e.r.p). US: 4 W (e.i.r.p) |
| Certificates | CE Certificate according to R&TTE-Directive 1999/5/EC and FCC |
| Standard | RAIN (EPC Gen2 ISO 18000-63) |
| EMC | EN 301489-1, EN 301489-3 |
| Safety | EN 60950-1, EN 60950-22 |

PARKING TELECOM PASSIVE WINDSHIELD TAG

An adhesive tag, designed for permanent mounting on car windshield. It is a battery free, UHF read only tag, suitable for long range vehicle access applications, which can be permanently and tamper evidently attached to a vehicle. The tag is mounted on the inside of the vehicle windshield using the adhesive, and has a barcode at the front to allow automated processing and easy issuing to users. The tags are delivered in continuous running number series.

SPRCIFICATION

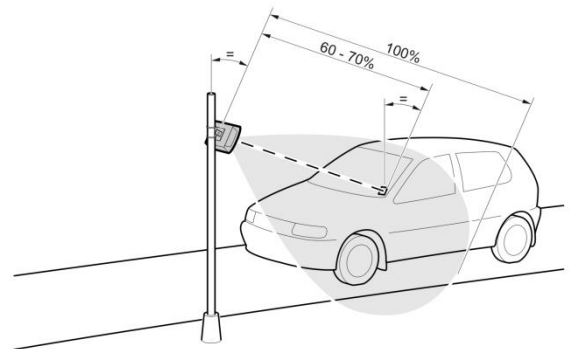
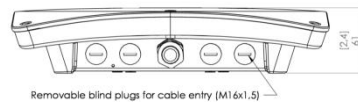
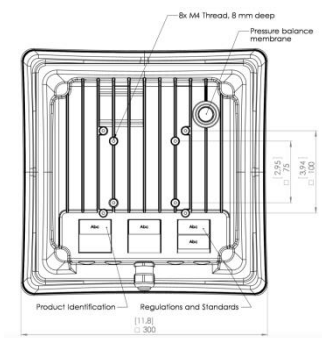
| | |
|---------------------------------|--|
| Read Range | EU: Up to 8 m (26 ft). US: Up to 9 m (29 ft) |
| Operating Frequencies | EU: 865–868 MHz. US: 902–928 MHz |
| Dimensions | 106.4 mm x 28.6 mm 4.2 in x 1.1 in. Thickness 0.55 mm 0.022 in |
| Weight | 2.2 g 0.078 oz |
| Adhesive | Low surface energy, pressure-sensitive adhesive |
| Chip information | Impinj Monza 4D |
| Operating & Storage Temperature | From -25°C to +80°C -13°F to +175°F |
| Material | Flexible polypropylene |
| Barcode | 128C |
| Color | White with print |
| Standard | RAIN (EPC Gen2 ISO 18000-63) |

PARKING TELECOM PASSIVE ISO CARD

A flexible and versatile card, designed for vehicle and personal access control. The ISO Card is a battery free, UHF read only card, suitable for long range applications. The ISO Card is particularly suitable when a single card should be used for different vehicles, or when the card should also be used together with an access control system for people identification. The ISO Card can be read from both sides, and has a printable front and pre-printed identification at the back of the card to allow easy issuing to users. The cards are delivered in continuous running number series.

SPRCIFICATION

| | |
|---------------------------------|--|
| Read Range | EU: Up to 8 m (26 ft). US: Up to 9 m (29 ft) |
| Operating Frequencies | EU: 865–868 MHz. US: 902–928 MHz |
| Dimensions | 86 mm x 54 mm 3.4 in x 2.1 in. Thickness 0.8 mm 0.031 in |
| Weight | 5.2 g 0.18 oz |
| Chip information | Monza 4QT |
| Operating & Storage Temperature | From -40°C to +70°C -40°F to +158°F |
| Material | Composite PETF/PVC |
| Color | White with black print |
| Standard | RAIN (EPC Gen2 ISO 18000-63) |



For more information: parkingtelecom.com/en/

Parking Telecom EMEA

74 Voie Magellan, PA Alpespace, 73800 Ste Helene du Lac, France

Parking Telecom reserves the right to change or update, without notice, any information contained herein; to change, without notice, the design, construction, materials, processing or specifications of any products; and to discontinue or limit production or distribution of any products. Parking Telecom, the Parking Telecom logo are either trademarks or registered trademarks of IngeniQue Corp. All other trademarks are the property of their respective owners. © 2018 Parking Telecom EMEA SAS. All rights reserved.

