

The Parking Telecom Barrier Gate Lite is designed for access control of a passage up to 4 meters wide.

High functionality

High operating convenience

The ideal solution for managing vehicle traffic



Features

Self-supporting steel structure

Cataphoresis treated and powder paint coated

Constant speed, stopping movement with electric limit switches

Reversal of movement during closing

Stop of movement during opening

Self-cooled gear reduction in permanent grease

Options

Articulated Boom

PARKING TELECOM BARRIER GATE LITE

TECHNICAL SPECIFICATION

ELECTRICAL

Supply Voltage	230 V AC
Frequency	50-60Hz
Nominal Power Consumption	100 W
Duty Cycle	100 %

OPERATING CONDITIONS

Ambient Temperature	-20°C to +60°C -4F to +140F
Storage Temperature	-20°C to +60°C -4F to +140F
Relative Humidity	max. 95% non-condensing
Protection Class Barrier Housing	IP54

OPERATING TIMES

Opening - closing time	2.5 to 6 s
------------------------	------------

GENERAL

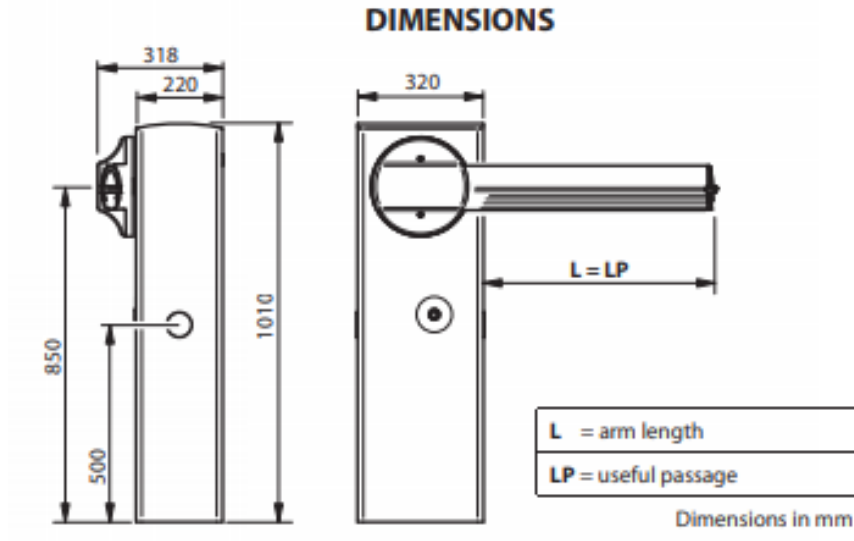
Housing design	Self-supporting steel structure
Compliant with	2004/108/CEE, 3006/95/CEE, 2006/42/CEE, 66/5/CEE

Color

Dark Gray

DIMENSIONS AND WEIGHT

Locking Width	Up to 4 m 13.1 ft
Dimensions	318 mm x 320 mm x 1010 mm 12.51 in x 12.59 in x 39.76 in
Barrier Weight	48 kg 105.8 lbs



For more information: parkingtelecom.com/en/

Parking Telecom EMEA

74 Voie Magellan, PA Alpespace, 73800 Ste Helene du Lac, France

Parking Telecom reserves the right to change or update, without notice, any information contained herein; to change, without notice, the design, construction, materials, processing or specifications of any products; and to discontinue or limit production or distribution of any products. Parking Telecom, the Parking Telecom logo are either trademarks or registered trademarks of IngeniQue Corp. All other trademarks are the property of their respective owners. © 2018 Parking Telecom EMEA SAS. All rights reserved.

