

The Parking Telecom Barrier Gate Pro is designed for high volume parking applications

10 million opening and closing cycles

Opening and closing times of as little as 1.3 sec

Low power consumption

High functionality

High operating convenience

Safety control unit according to EN 13849



Features

Modular, attractive design

Strong construction

Aluminum housing and corrosion protection

Innovative drive technology

PT Barrier Gate controller

Integrated 2-channel loop detector

Break away flange

Maintenance free

Options

Articulated Boom

Information Boom

Light gate

Remote control

Two Control Columns control

Double gate at EXIT

PARKING TELECOM BARRIER GATE PRO

TECHNICAL SPECIFICATION

ELECTRICAL

Supply Voltage	85 to 264 V AC
Frequency	50-60Hz
Nominal Current Consumption*	1.5 A
Max Current Consumption*	5.0 A
Nominal Power Consumption*	95 W
Duty Circle	100 %

OPERATING CONDITIONS

Ambient Temperature	-30°C to +55°C -22F to +131F
Storage Temperature	-30°C to +70°C -22F to +158F
Relative Humidity	max. 95% non-condensing
Wind Force	Max. 10 Bft (Beaufort)
Protection Class Barrier Housing	IP54

OPERATING TIMES

Opening - closing time	1.3 s
------------------------	-------

GENERAL

Housing design	Aluminum
Base frame	Stainless steel
Compliant with	2004/108/EC, 2006/42/EC, 305/2011, CE, UL 325

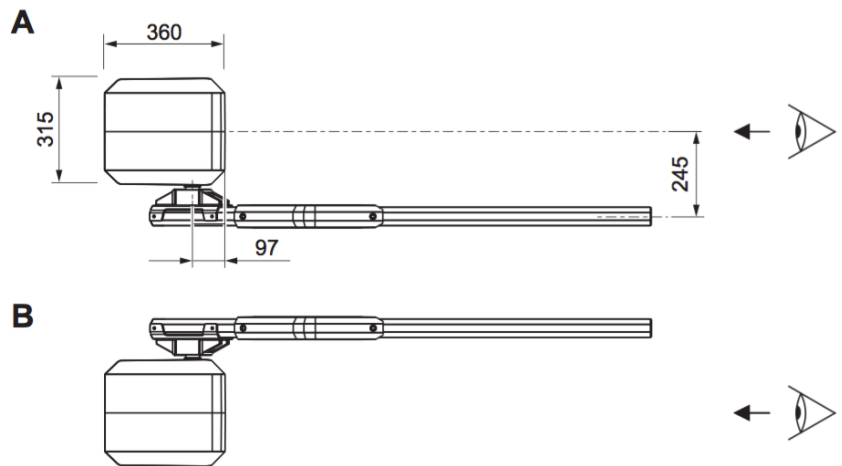
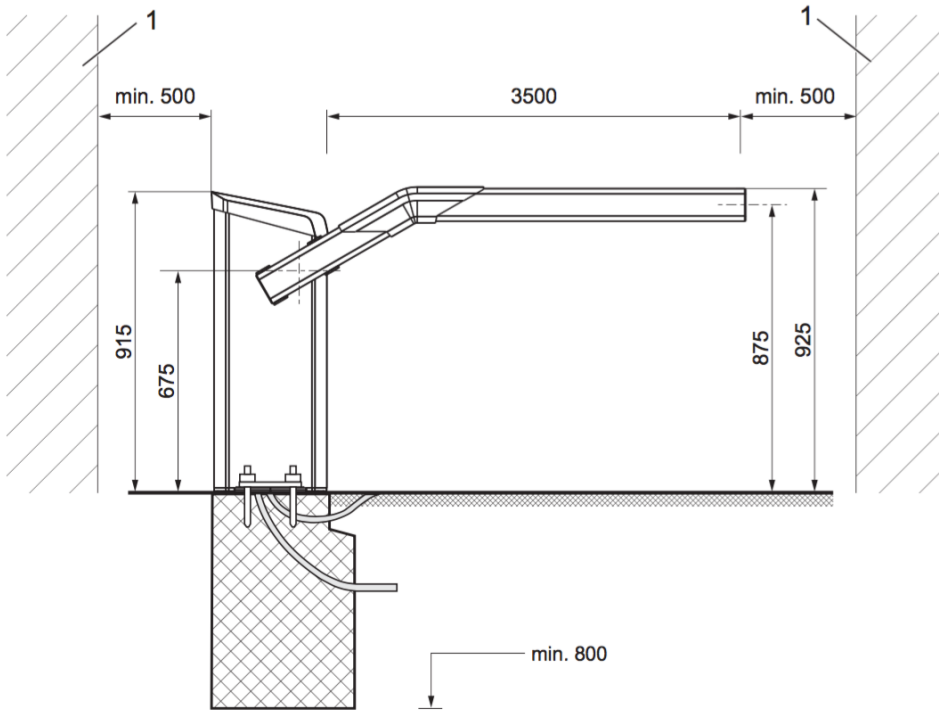
Color

Signal White Aluminum RAL 9003 and Black Anthracite RAL 7021

*The values refer to power supply of 120 V AC and 230 V AC without accessories.

DIMENSIONS AND WEIGHT

Locking Width	3.66 m 12 ft
Dimensions	315 mm x 360 mm x 915 mm 12.4 in x 14.2 in x36.0 in
Barrier Housing Weight	40 kg 88.2 lbs



For more information: parkingtelecom.com/en/

Parking Telecom EMEA

74 Voie Magellan, PA Alpespace, 73800 Ste Helene du Lac, France

Parking Telecom reserves the right to change or update, without notice, any information contained herein; to change, without notice, the design, construction, materials, processing or specifications of any products; and to discontinue or limit production or distribution of any products. Parking Telecom, the Parking Telecom logo are either trademarks or registered trademarks of IngeniQue Corp. All other trademarks are the property of their respective owners. © 2018 Parking Telecom EMEA SAS. All rights reserved.

